

TENNIS

POOL

ASSEMBLY INSTRUCTIONS

SNOOKER

FOOTBALL

POOL



AIR HOCKEY

FOOTBALL

TABLE TENNIS

SNOOKER

AIR HOCKEY



THIS IS NOT A TOY

To be used under adult supervision only

RILEY™

RILEY 6'6" TABLE TENNIS DESKTOP

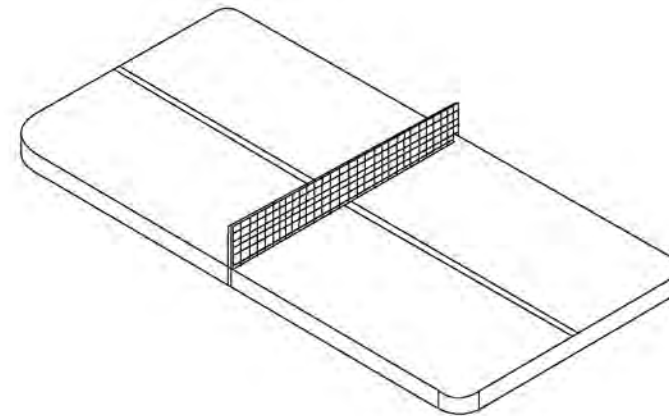
WWW.RILEYSNOOKER.CO.UK

Model name: RILEY 6'6" TABLE TENNIS DESKTOP

Model number: TT-66



SERVICE CARD



Dear Customer: Should you find that there are damaged or missing component(s), please clearly indicate the part(s) in the attached Service Card and return the Service Card to us at the below address. Alternatively, you may scan and email the completed Service Card to: missingparts@bce-riley.com. Please ensure the below Customer details section is completed in full. Please note that we cannot process requests for parts without a completed Service Card.

Customer Services Department, BCE (Distributors) Ltd, Unit 12b Severnbridge Industrial Estate, Symondscliffe Way, Caldicot, NP26 5PW.

DATE: NAME:

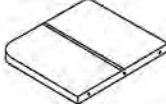




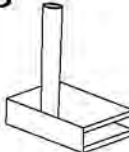
EMAIL:

ADDRESS:

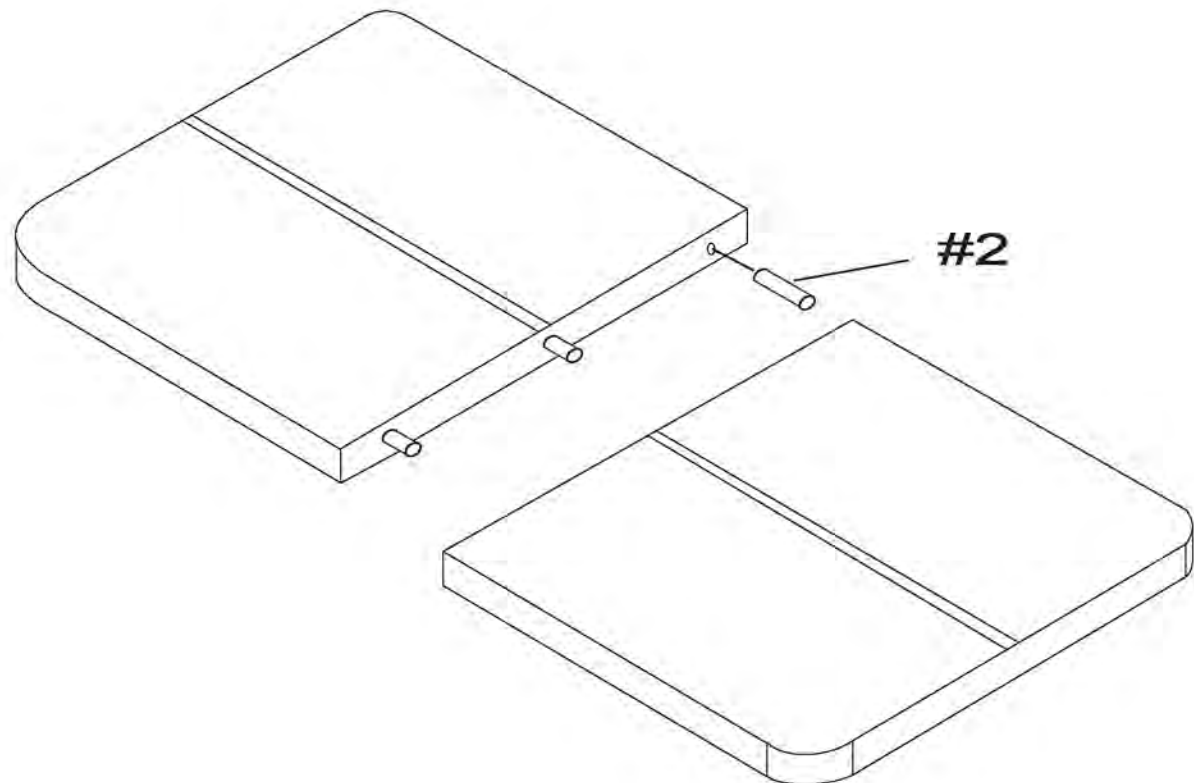
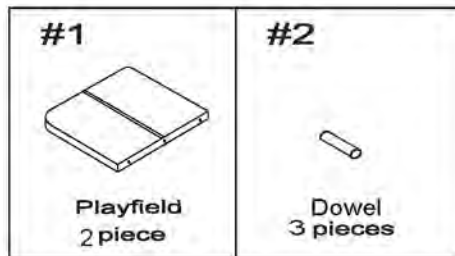
CITY:

POSTCODE: TEL:

DATE: NAME OF RETAILER / PLACE OF PURCHASE:

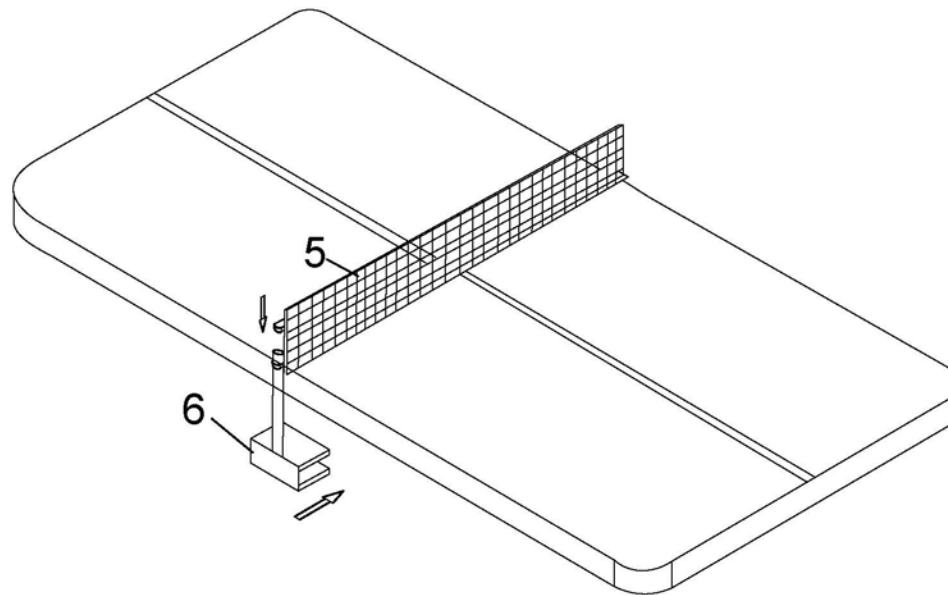
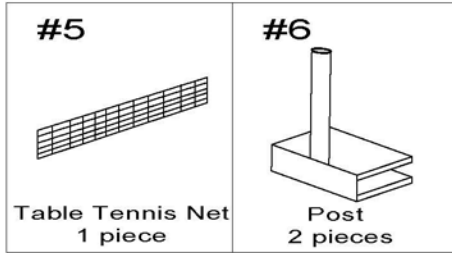
<p>#1</p>  <p>Playfield 2 piece</p>	<p>#2</p>  <p>Dowel 3 pieces</p>	<p>#3</p>  <p>Table Tennis Ball 2 pieces</p>	<p>#4</p>  <p>Table Tennis Bat 2 pieces</p>
<p>#5</p>  <p>Table Tennis Net 1 piece</p>	<p>#6</p>  <p>Post 2 pieces</p>		

1



WARNING: IN ORDER TO AVOID DAMAGE TO PLAYFIELD JOINTS, PLAYFIELDS MUST BE SEPARATED COMPLETELY PRIOR TO MOVING TABLE TENNIS TOP.

2



WARNING: IN ORDER TO AVOID DAMAGE TO PLAYFIELD JOINTS, PLAYFIELDS MUST BE SEPARATED COMPLETELY PRIOR TO MOVING TABLE TENNIS TOP.



RILEYTM
ENGLAND

TABLE CARE

We would like you to enjoy your table for as long as possible. The following care instructions are a guide only – we hope you find them useful in prolonging the life of your product.

1. Please ensure that your table is not placed in direct sunlight. Direct sunlight will cause the playing surface to fade and may cause the side and end rails to warp.
2. When not in use, it is advisable to cover the table with a suitable cover to prevent the playing surface from gathering dust and dirt particles.
3. Please do not eat or drink near the table. The playing surface will easily stain and may become seriously damaged should a spillage occur.
4. The playing surface will be subjected to normal wear and tear during play. You must only use standard, plastic table tennis balls as per those supplied with the table or balls of the same or similar specification.
5. To clean the table, we recommend that you carefully dust with a clean, dry, lint free cloth. Where you wish to use a polish or other cleaning material, you must test this carefully on a small part of the table to check whether it is compatible with the table finish. Under no circumstances should you use abrasive cleaners and polishes.
6. We do not recommend sitting or standing on your table. This can cause damage to the structure of the table, and can lead to personal injury.
7. This appliance is not intended for use by persons with reduced physical, sensory or mental capabilities, or lack of experience and knowledge, unless they have been given supervision or instruction concerning use of the appliance by a person responsible for their safety.
8. Do not use in a combustible/damp or wet environment.



TABLE TENNIS



RILEY[™]
ENGLAND

GAME RULES

The following rules are the basic rules required to play a friendly game of Table Tennis. There are more extensive rules available on the internet if you wish to take the game more seriously.

Please remember in singles games, the centre line serves no purpose at all so please ignore it.

1. Each player serves two consecutive points, then serve is switched. However, if the score is 10-10, then each player serves only one point before switching to the opposing player.

2. After each game, the players switch ends of the table.

3. In the final game, the players switch ends after each player reaches 5 points.

4. To serve, the ball must first rest on an open handed palm. It must be tossed up at least six inches and struck so the ball first bounces on the server's side and then the opponent's side.

5. If the serve is legal but clips the net, it is called a Let Serve. These are not scored and serve is repeated.

6. A match is played best of 3 or 5 games. The first player to reach 11 points, wins that game. However, a game must be won by at least a two point margin.

7. A point is scored after each ball is put into play.

8. The edges of the table are part of the legal table surface, but not the sides.



TABLE TENNIS



BCE (DISTRIBUTORS) LIMITED

UNIT 12B SEVERNBRIDGE INDUSTRIAL ESTATE

SYMONDSCLIFFE WAY

CALDICOT

NP26 5PW

WWW.RILEYSNOOKER.COM